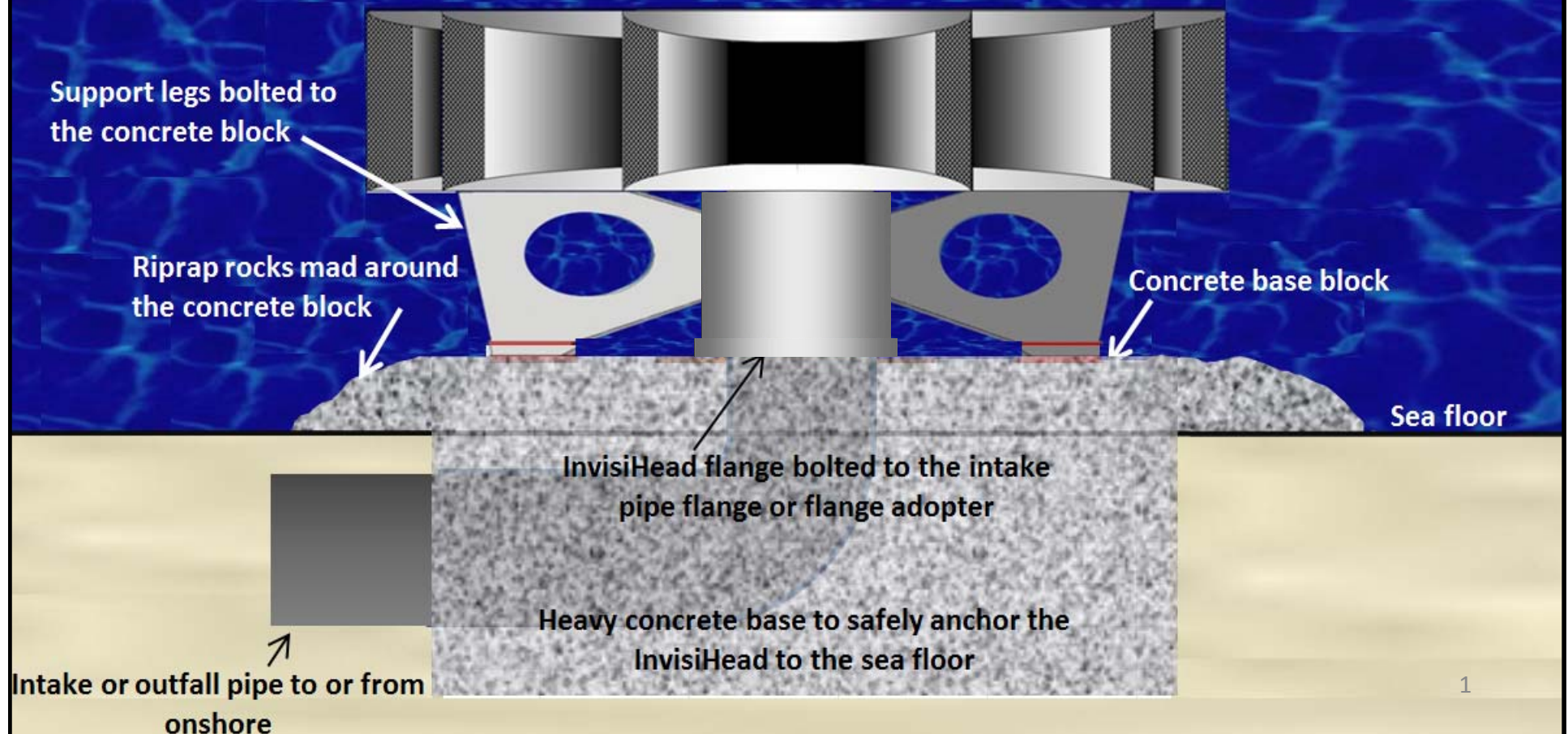


Robust structure made to withstand Cat 5 Hurricane

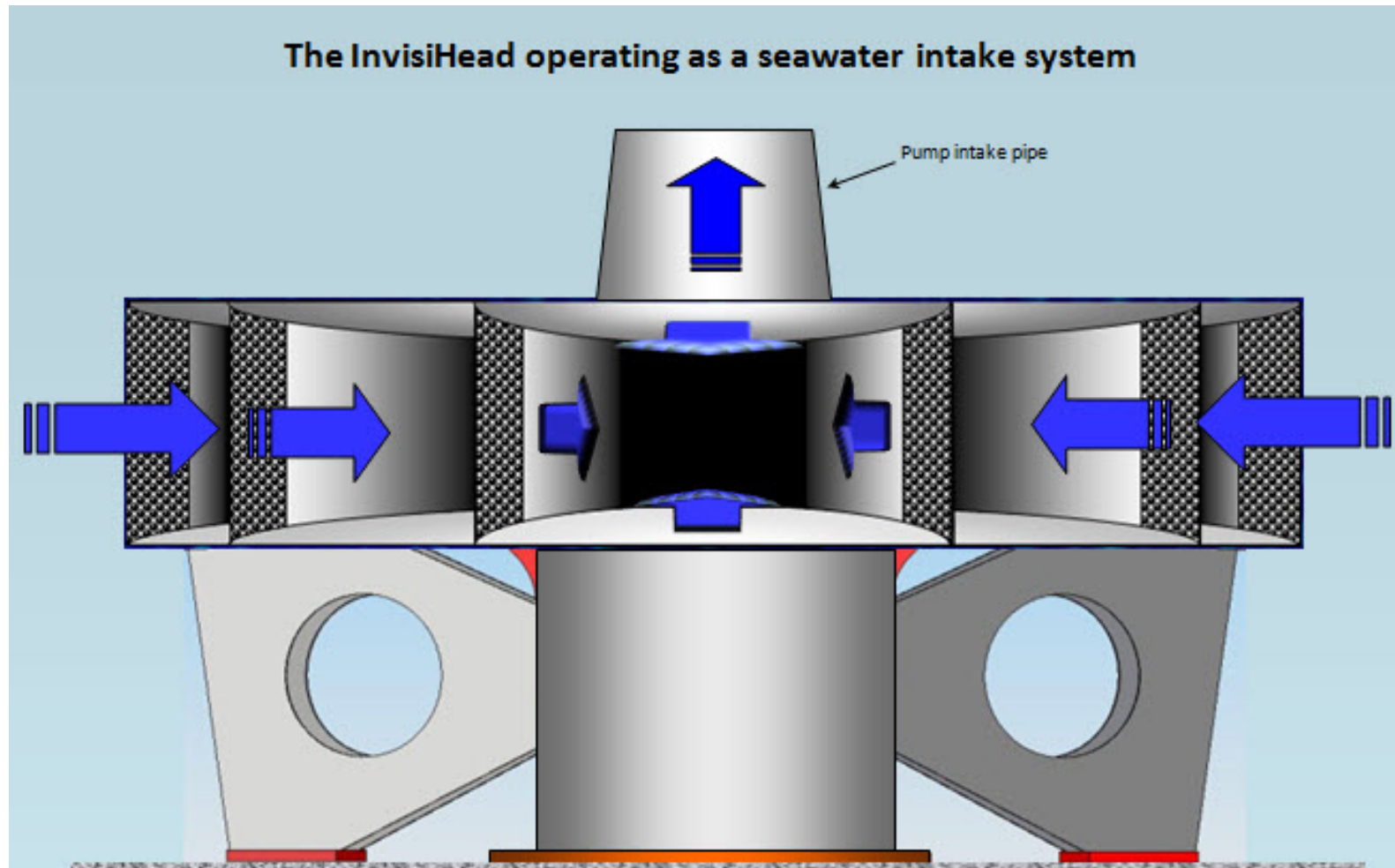
force

At American Eco Systems, we design, fabricate, And deliver the InvisiHead intake and outfall

The InvisiHead



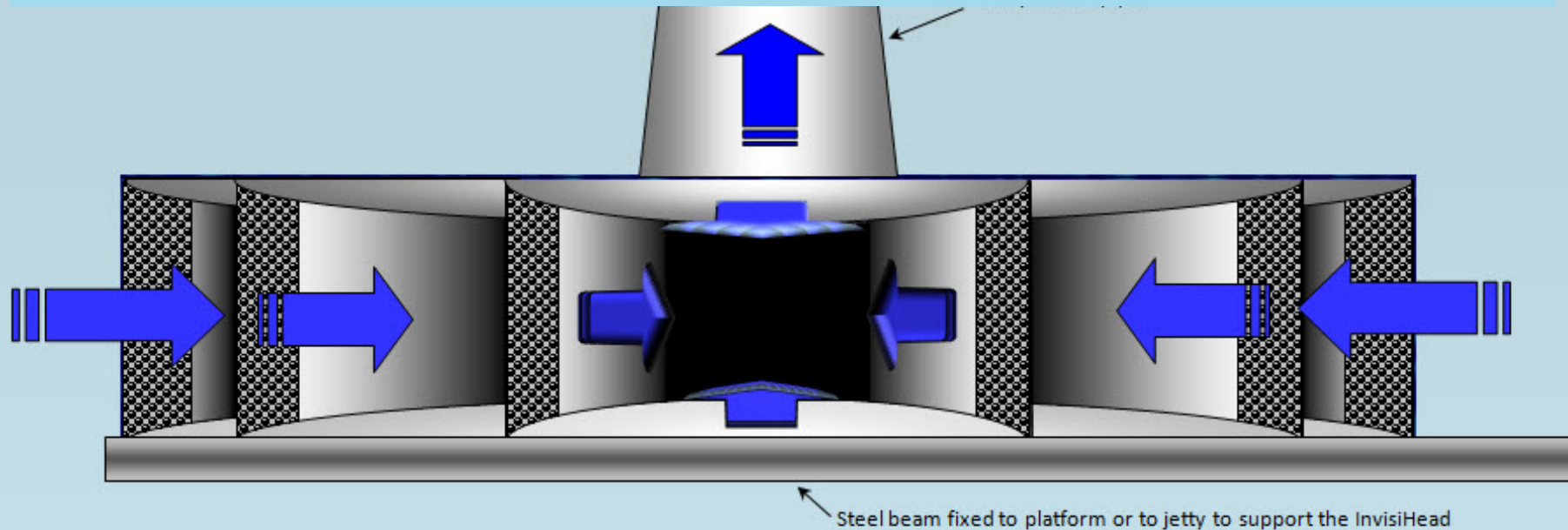
We have added a new version of the InvisiHead to be installed and used at platforms and in LPG offshore stations



The offshore platforms/LPG terminals can get clean water or discharge effluents by installing the InvisiHead. It can be fixed on the sea floor or on the side of the platform structure at any level and be connected to the pump or pumps. The InvisiHead this way will act as a strainer of high quality that lets through good quality water with no sediments, marine life or any debris. The InvisiHead can also be fixed to an over hang supported to the mother structure. It also works as a superb outfall meeting and exceeding all environmental standards worldwide.

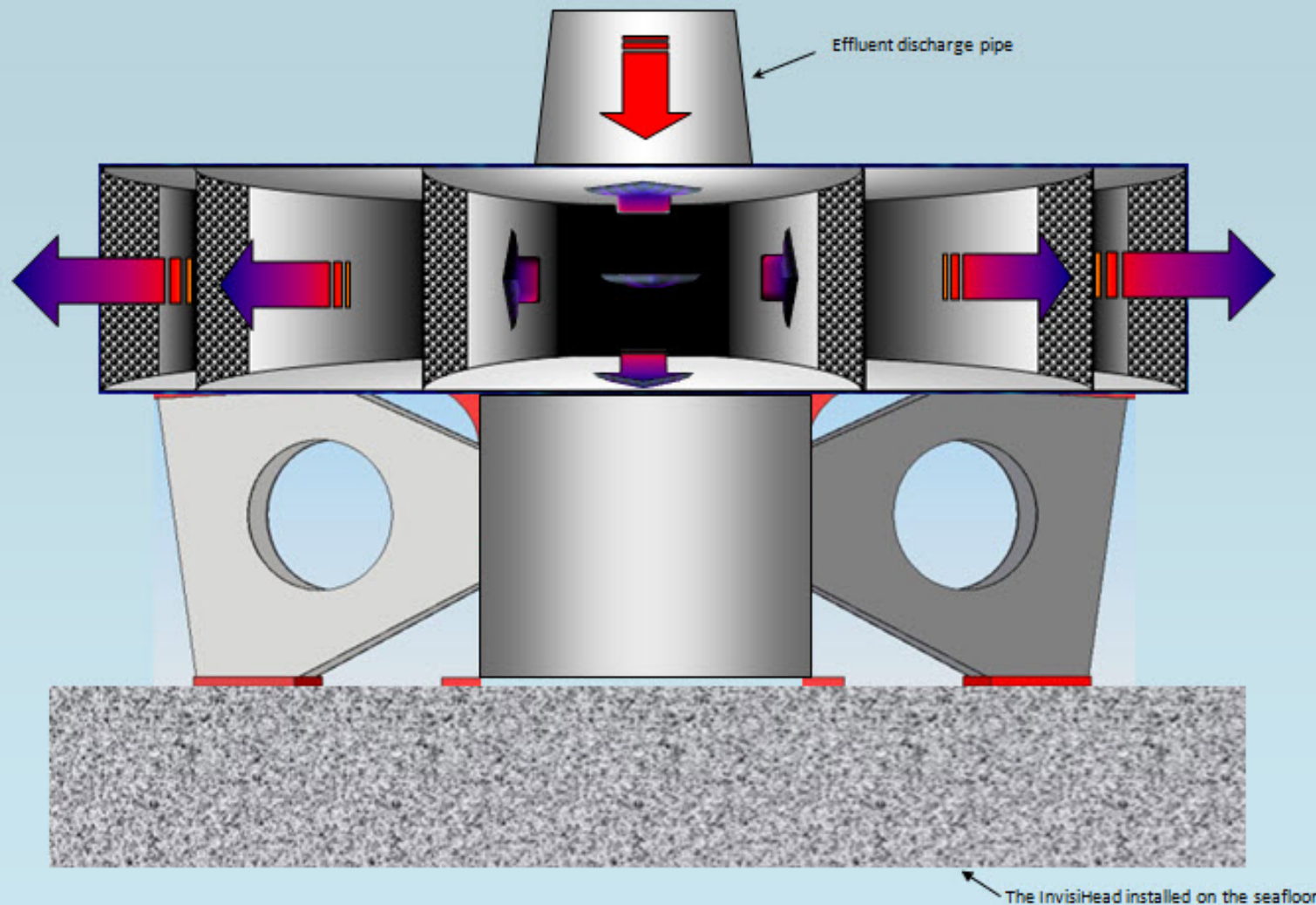
The InvisiHead installed on the seafloor

The InvisiHead fixed on a supported platform overhang or a cantilever beam works as a seawater intake system or a high quality pump strainer

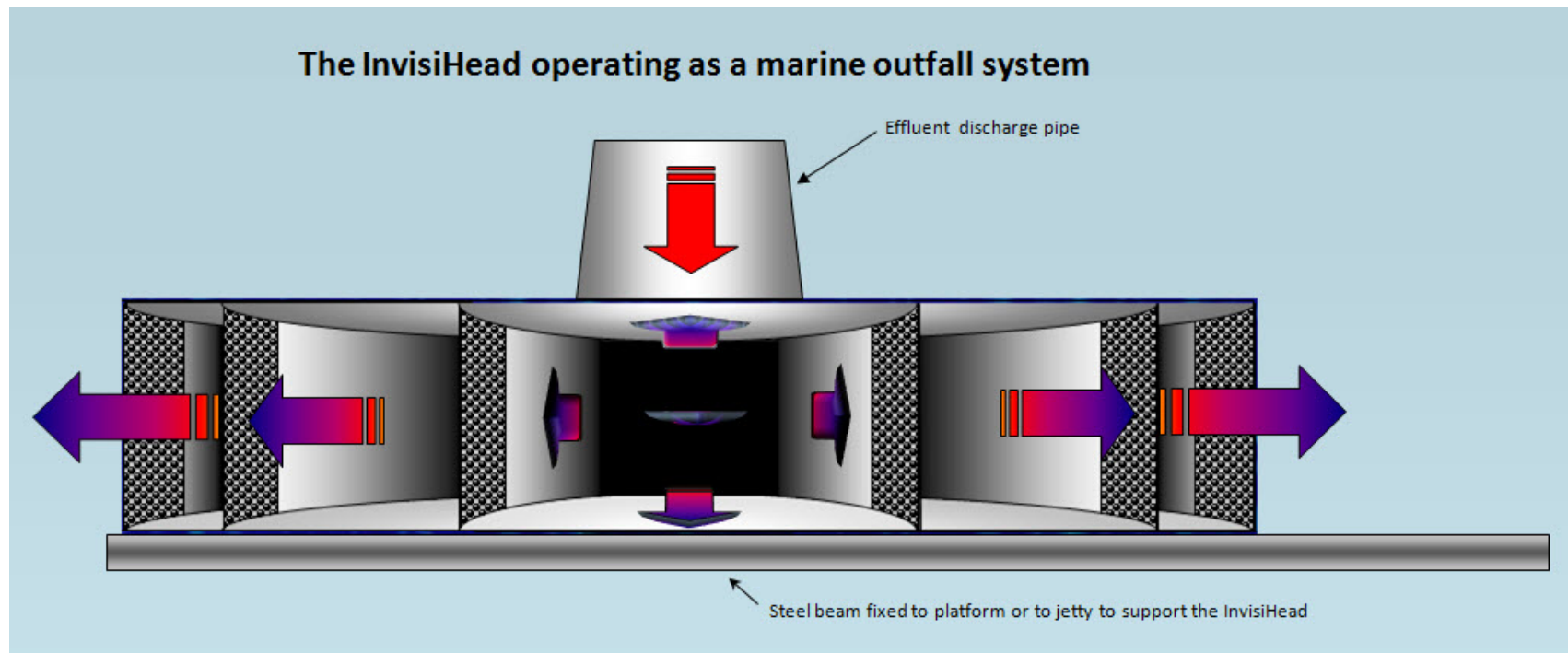


A meter or so away from the platform structure will be a good position to provide the platform with a clean supply of seawater. The InvisiHead will provide the flow capacity round the clock under all operation and weather conditions for many decades to come. The InvisiHead a robust structure made of thick duplex or 316 stainless steel.

The InvisiHead operating as a marine outfall system

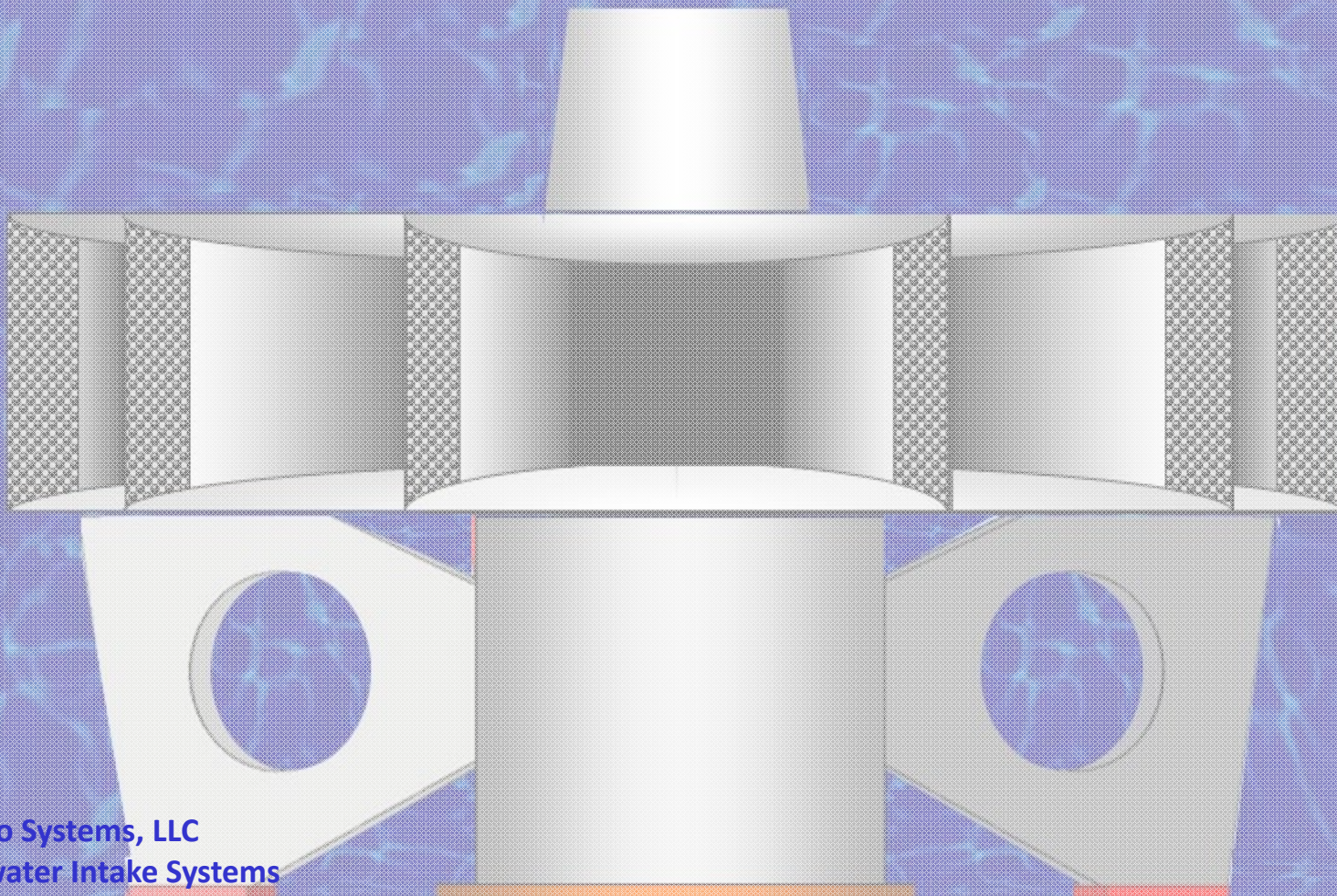


The InvisiHead also can serve offshore installations so as to safely discharge their effluents and in the proper way and remain in compliance with effluent discharge regulations. The InvisiHead meets and exceeds regulatory body discharge standards be it power plant cooling water, seawater desalination brine, municipal wastewater, aquaculture farms, oil refineries, petrochemical plants, etc.



The InvisiHead can be neatly fixed to any offshore fixed or mobile structure and can adequately discharge and disperse the effluent in a regulatory acceptable manner.

We customize each system to fit the structure and flow conditions.



American Eco Systems, LLC

Elmosa Seawater Intake Systems

540 Centre Street, Nutley, NJ 07110, USA

t: 1 973 563 7270 f: 1 973 320 5288

www.amecosys.com/elmosa

e: elmosa@amecosys.com